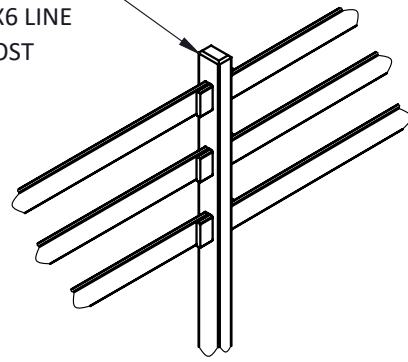
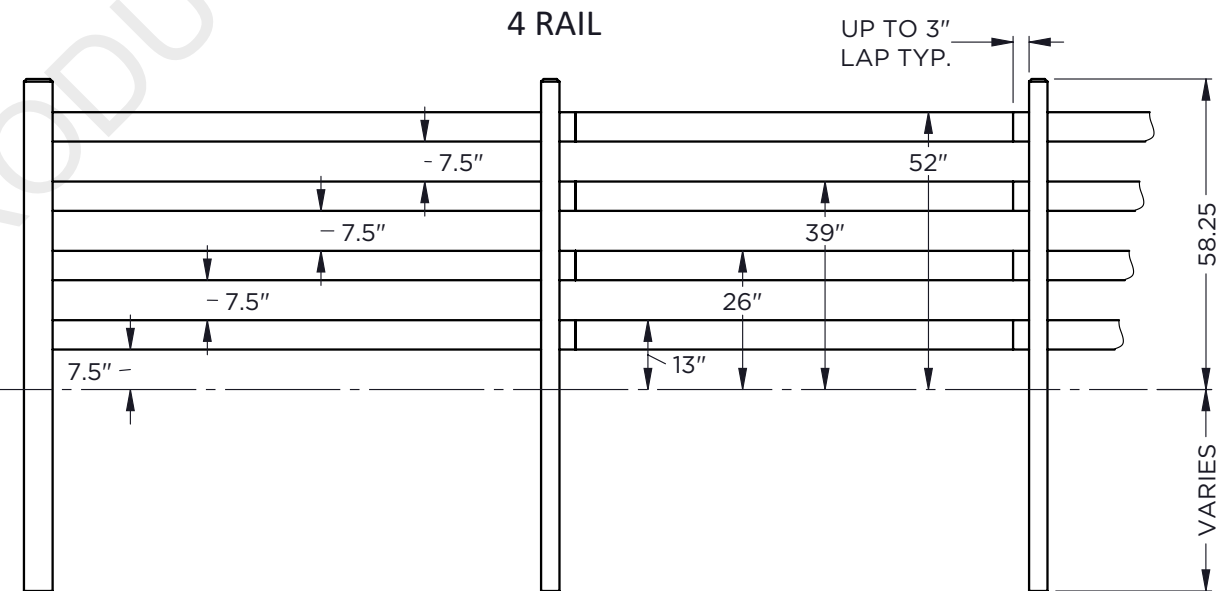
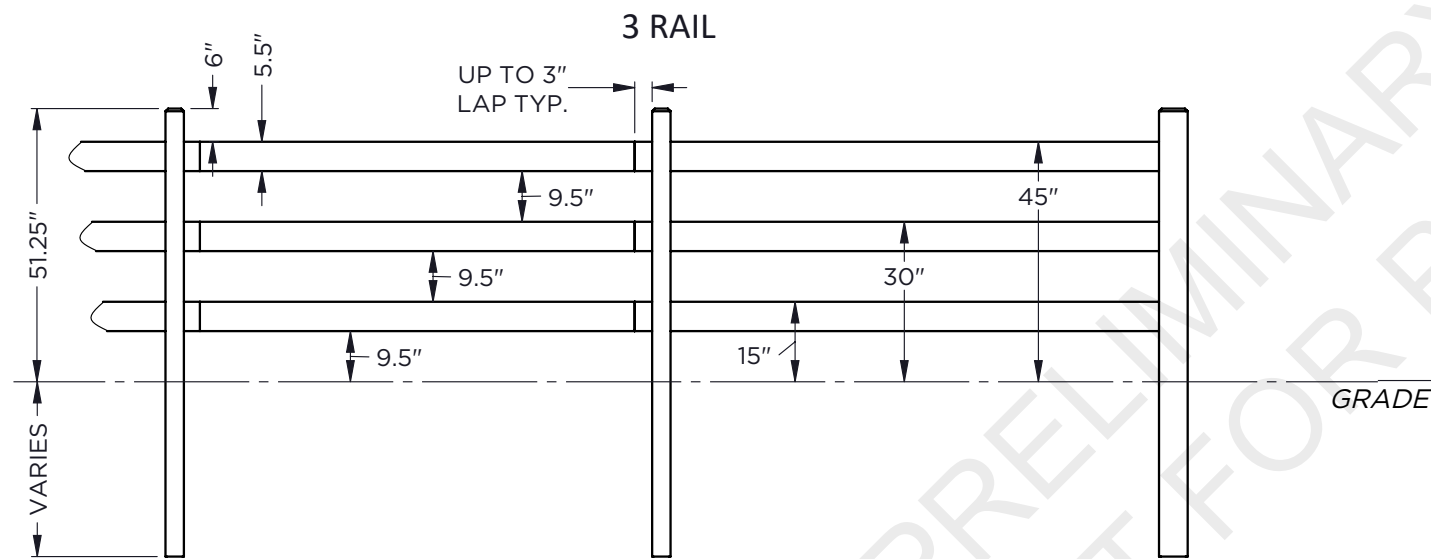
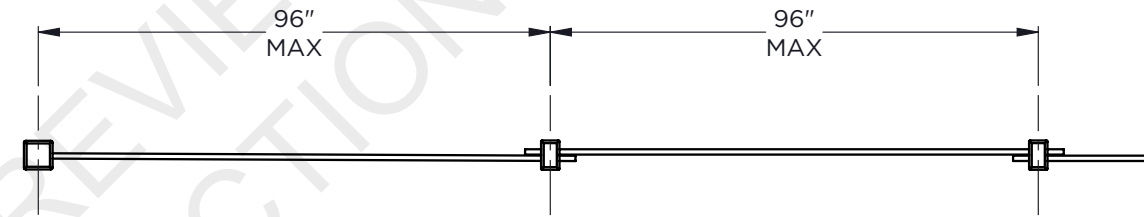
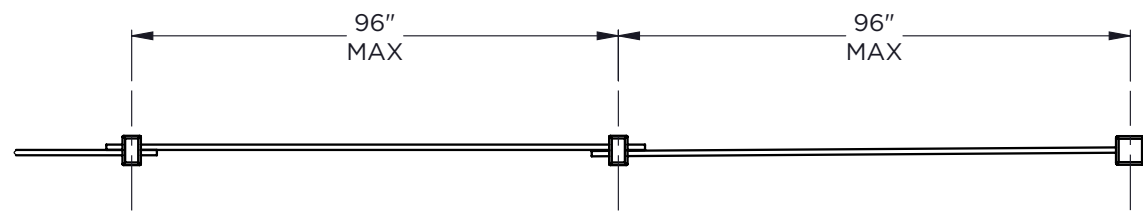
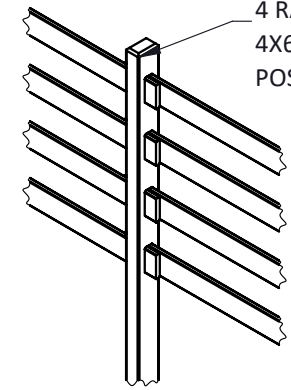


TYPICAL  
3 RAIL SLIP  
4X6 LINE  
POST



# LANCASTER SERIES FENCING DIMENSIONS

TYPICAL  
4 RAIL SLIP  
4X6 LINE  
POST



- COLORS ARE BLACK, WHITE AND TUDOR BROWN, OR CUSTOM.
- POST LENGTHS ARE 10', 9', 8', 7' OR CUSTOM, PER SOIL CONDITIONS AND FROST LINE (END/CORNERS 6"X6" - LINE 4"X6").
- RAIL LENGTH IS 9' FOR 8' MAXIMUM POST SPACING OR CUSTOM (5/4"X6" OR 2"X6").
- POSTS ARE WOODGRAIN EMBOSSED ON ALL (4) SIDES, RAILS ON BOTH FACES.
- SMOOTH POSTS AND RAILS AVAILABLE UPON REQUEST.
- LANCASTER SERIES RAIL SPACING SHOWN. CUSTOM RAIL SPACING AVAILABLE.

**TANGENT**<sup>®</sup>

1001 SULLIVAN ROAD, AURORA, IL 60506  
www.tangentfence.com (800) 721-9037